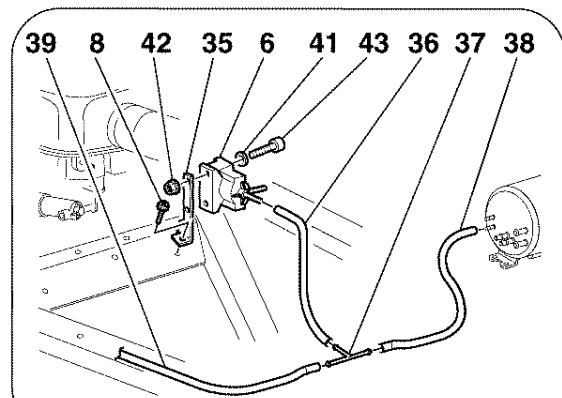


F131\_S: 360spider - 7 - INJECTION DEVICE - IGNITION

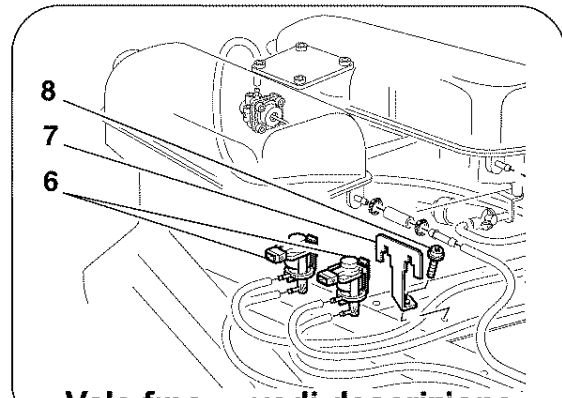
1	179167	1	R.H. SIDE ENGINE INJECTION CABLES
1	179168	1	L.H. SIDE ENGINE INJECTION CABLES
2	177074	8	SINGOL IGNITION COIL
3	10902534	16	SCREW
4	12601274	16	WASHER
5	168325	8	SPARK PLUG
5	192637	8	-Valid till stock exhaustion- SPARK PLUG
6	171723	8	ELECTRO-INJECTOR
6	197808	8	-Valid till stock exhaustion- ELECTRO-INJECTOR
7	133902	16	GASKET
8	144730	8	INJECTORS RETAINING CLIP
9	14306424	4	SCREW
10	12601374	4	WASHER
11	178285	2	CONTROL UNIT IGNITION
11	185392	2	-Not for F1- -Valid for catalyzed cars- -Not for USA, CDN and AUS- -Valid for EU GS not F1 and J not F1 till car Ass.Nr.39139 - -Valid for GB not F1 till car Ass.Nr.39239 - CONTROL UNIT IGNITION
11	180101	2	-Not for F1- -Valid for catalyzed cars- -Not for USA, CDN and AUS- -Valid for EU GS not F1 and J not F1 from car Ass.Nr.39140 - -Valid for GB not F1 from car Ass.Nr.39240 - CONTROL UNIT IGNITION
11	178768	2	-Not for F1- -Valid for not catalyzed cars- -Not for USA, CDN and AUS- CONTROL UNIT IGNITION
11	209973	2	-Not for F1- -Valid for USA, CDN and AUS- -Not for USA MY 2000,2001,2002,2003,2004 and CDN MY 2000,2001,2002,2003,2004- -Valid till Ass. Nr.53910 for AUS- CONTROL UNIT IGNITION
11	180700	2	-Valid from Nr.53911 for AUS- CONTROL UNIT IGNITION
11	186394	2	-Not for F1- -Valid for USA and CDN- -Not for USA MY 2002,2003 and CDN MY 2002,2003,2004- CONTROL UNIT IGNITION
11	197914	2	-Not for F1- -Valid for USA MY 2002 and CDN MY 2002- -Not for USA MY 2003 and CDN MY 2003,2004- CONTROL UNIT IGNITION
11	201747	2	-Not for F1- -Valid for USA MY 2003 and CDN MY 2003- CONTROL UNIT IGNITION

			-Valid for USA MY 2004 and CDN MY 2004-
11	178765	2	CONTROL UNIT IGNITION -Valid for F1- -Valid for catalyzed cars- -Not for USA, CDN and AUS- -Valid for EU GS F1 and J F1 till car Ass.Nr.39346 - -Valid for GB F1 till car Ass.Nr.39121 -
11	185403	2	CONTROL UNIT IGNITION -Valid for F1- -Valid for catalyzed cars- -Not for USA, CDN and AUS- -Valid for EU GS F1 and J F1 from car Ass.Nr.39347 - -Valid for GB F1 from car Ass.Nr.39122 -
11	182630	2	CONTROL UNIT IGNITION -Valid for F1- -Valid for not catalyzed cars- -Not for USA, CDN and AUS-
11	178784	2	CONTROL UNIT IGNITION -Valid for F1- -Valid for AUS- -Not for USA and CDN- -Valid till Ass. Nr.53910 for AUS-
11	209974	2	CONTROL UNIT IGNITION -Valid from Nr.53911 for AUS-
11	181642	2	CONTROL UNIT IGNITION -Valid for F1- -Valid for USA and CDN- -Not for USA MY 2002,2003 and CDN MY 2002,2003,2004-
11	190768	2	CONTROL UNIT IGNITION -Valid for F1- -Valid for USA MY 2002 and CDN MY 2002- -Not for USA MY 2003 and CDN MY 2003,2004-
11	197913	2	CONTROL UNIT IGNITION -Valid for F1- -Valid for USA MY 2003 and CDN MY 2003-
11	201752	2	CONTROL UNIT IGNITION -Valid for F1- -Valid for USA MY 2004 and CDN MY 2004-
11	206424	2	CONTROL UNIT IGNITION -Not for F1- -Valid for USA and CDN- -Valid for racing exhaust version- -Optional-
11	206425	2	CONTROL UNIT IGNITION -Valid for F1- -Valid for USA and CDN- -Valid for racing exhaust version- -Optional-
11	206421	2	CONTROL UNIT IGNITION -Not for F1- -Not for USA and CDN- -Valid for racing exhaust version- -Optional-
11	206423	2	CONTROL UNIT IGNITION -Valid for F1- -Not for USA and CDN-

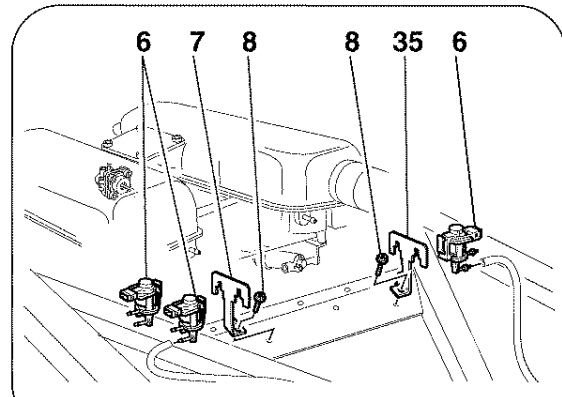
			-Valid for racing exhaust version-
			-Optional-
12	186400	1	R.H. PLATE
12	186399	1	L.H. PLATE
13	15896470	8	NUT
14	12604174	8	WASHER
15	16286024	4	SCREW
16	178482	1	R.H. COMPLETE FUEL TUBE WITH ELECTRO-INJECTORS
			-Valid till stock exhaustion-
16	198347	1	R.H. COMPLETE FUEL TUBE WITH ELECTRO-INJECTORS
16	178494	1	L.H. COMPLETE FUEL TUBE WITH ELECTRO-INJECTORS
			-Valid till stock exhaustion-
16	198348	1	L.H. COMPLETE FUEL TUBE WITH ELECTRO-INJECTORS
17	14059211	2	NUT
18	186398	1	RUBBER THICKNESS
19	186397	1	RUBBER THICKNESS
20	124034	2	BRACKET WITH SHEATH
21	14059214	2	NUT
22	162606	2	CLIP



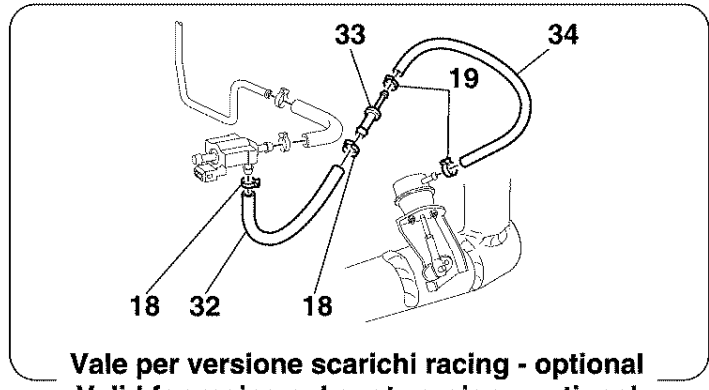
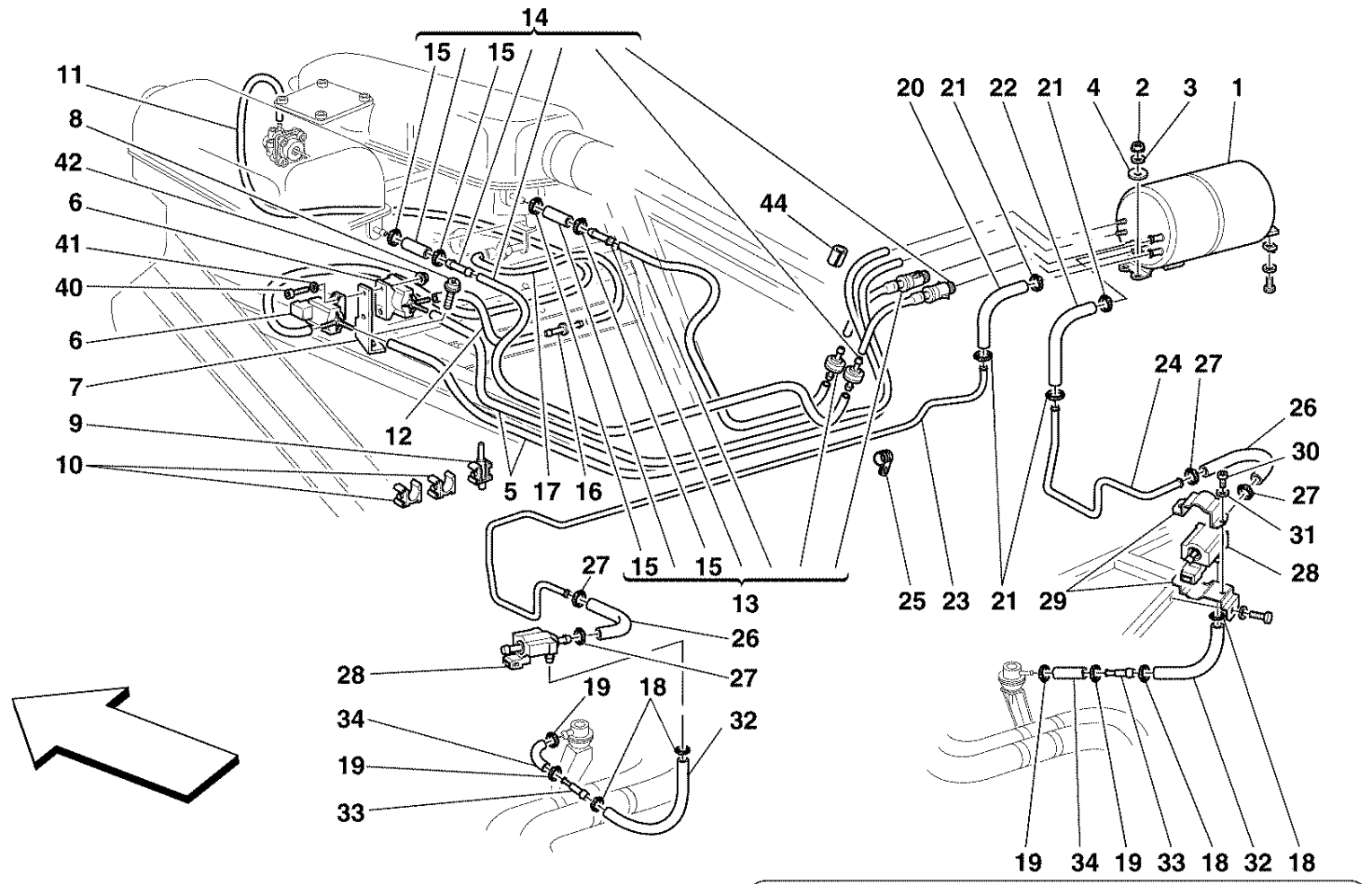
Vale per USA e CDN dall' Ass. Nr. 44739  
Valid for USA and CDN from Ass. Nr. 44739



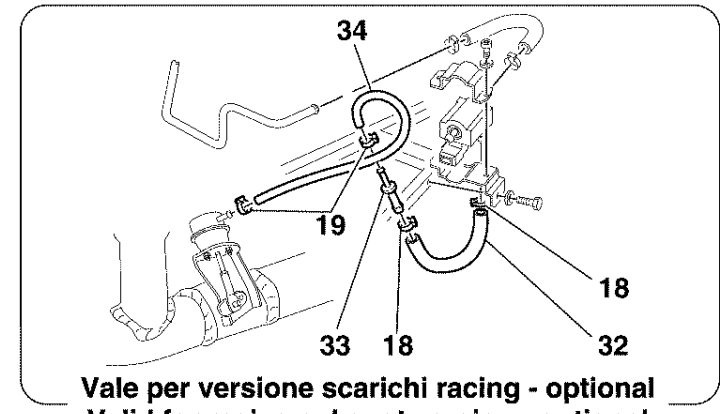
Vale fino ... vedi descrizione  
valid till ... see description



Vale per USA e CDN fino all' Ass. Nr. 44738  
Valid for USA and CDN till Ass. Nr. 44738



Vale per versione scarichi racing - optional  
Valid for racing exhaust version - optional

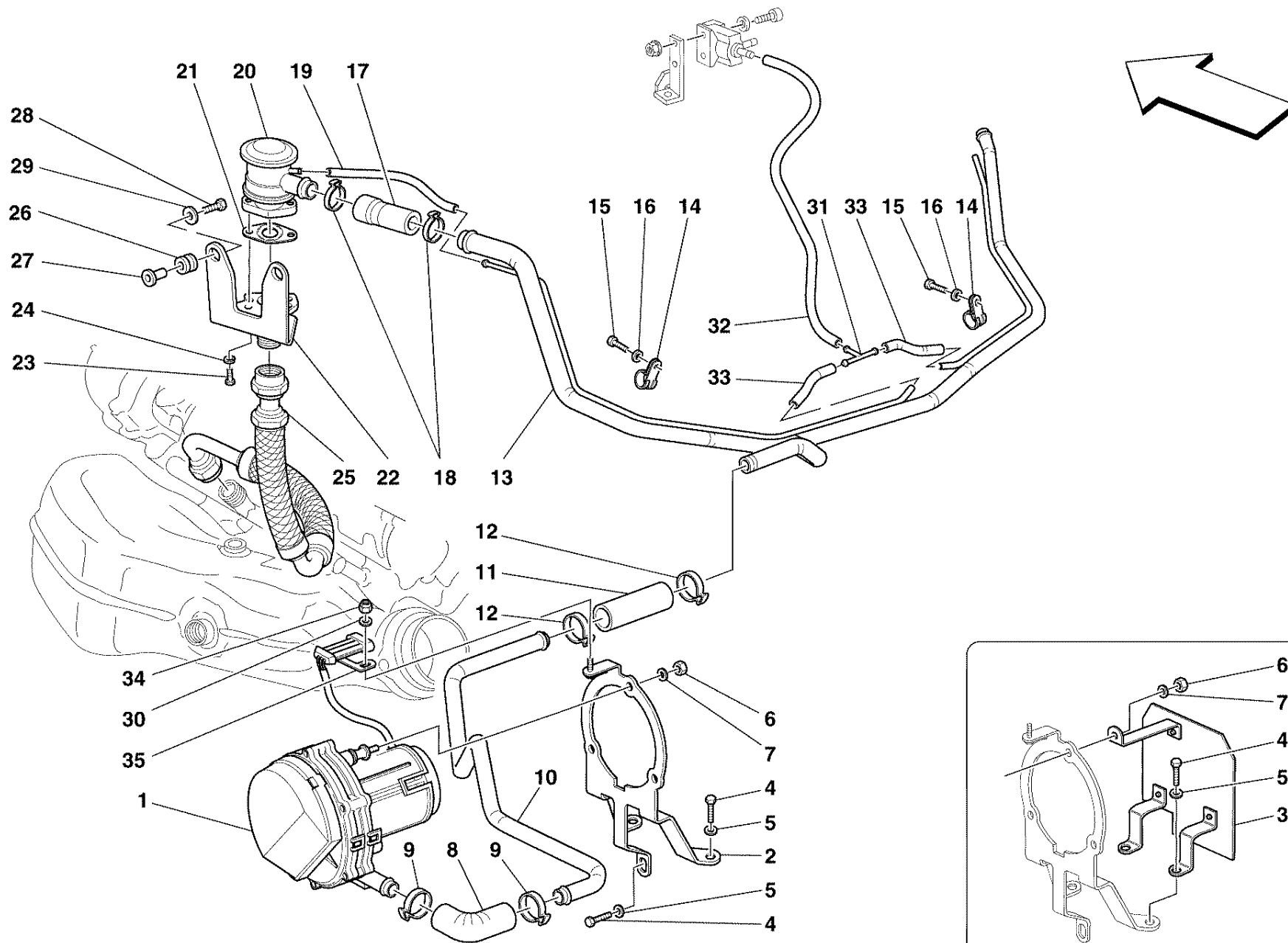


Vale per versione scarichi racing - optional  
Valid for racing exhaust version - optional

F131\_S: 360spider - 8 - PNEUMATICS ACTUATOR SYSTEM

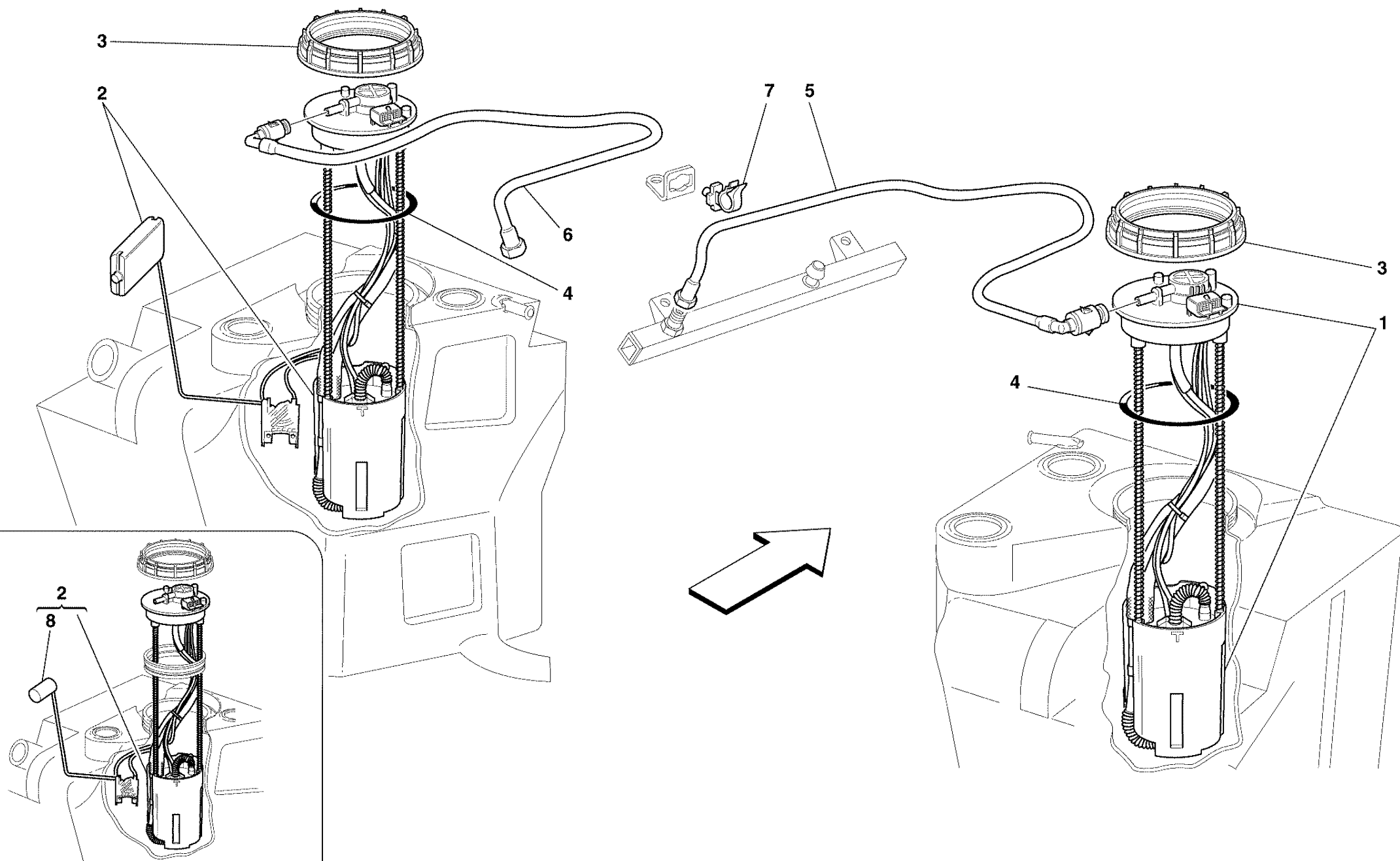
1	177060	1	DEPRESSION ACCUMULATION TANK -Valid till stock exhaustion-
1	195645	1	DEPRESSION ACCUMULATION TANK
2	14059211	2	NUT
3	12601274	2	WASHER
4	12639724	2	WASHER
5	169692	2	PIPE FROM TANK TO SOLENOID VALVE
6	159177	2	SOLENOID VALVE -Q.ty 3 for USA and CDN- -For cars not USA and CDN valid till Ass. Nr. 44736- -For cars USA and CDN valid till Ass. Nr. 44738-
6	184363	2	SOLENOID VALVE -Q.ty 3 for USA and CDN- -For cars not USA and CDN valid from Ass. Nr. 44737- -For cars USA and CDN valid from Ass. Nr. 44739-
7	179470	1	PLATE -For cars not USA and CDN valid till Ass. Nr. 44736- -For cars USA and CDN valid till Ass. Nr. 44738-
7	189987	1	PLATE -For cars not USA and CDN valid from Ass. Nr. 44737- -For cars USA and CDN valid from Ass. Nr. 44739-
8	16286024	1	SCREW
9	140162	1	ANCHORAGE FOR CLIP
10	140130	1	FLEXIBLE CLIP
11	169692	1	PIPE FROM SOLENOID VALVE TO PNEUMATIC CAPSULE
12	115411	1	PIPE FROM SOLENOID VALVE TO UNION
13	178420	1	COMPLETE R.H. DEPRESSION PIPE
14	183366	1	COMPLETE L.H. DEPRESSION PIPE
15	13434670	4	SCREW COLLAR
16	178491	1	UNION
17	168248	1	RUBBER HOSE
18	13432270	4	SCREW COLLAR
19	171406	4	SCREW COLLAR
20	178554	1	RUBBER HOSE
21	13432270	4	SCREW COLLAR
22	178552	1	RUBBER HOSE
23	178503	1	L.H. PIPE
24	178497	1	R.H. PIPE
25	10441190	4	BRACKET WITH SHEATH
26	178552	2	RUBBER HOSE
27	13432270	4	SCREW COLLAR
28	178309	2	SOLENOID VALVE
29	178515	2	SOLENOID VALVE SUPPORT
30	14302924	4	SCREW
31	127492	4	WASHER
32	178552	2	RUBBER HOSE

33	178369	2	UNION
34	147121	2	RUBBER HOSE
34	147120	2	RUBBER HOSE -Valid for racing exhaust version- -Optional-
35	182480	1	R.H. PLATE -Valid for USA and CDN- -Valid till car Ass. Nr. 44738-
35	189993	1	R.H. PLATE -Valid for USA and CDN- -Valid from car Ass. Nr. 44739-
36	124347	1	PIPE FROM SOLENOID VALVE TO UNION -Valid for USA and CDN-
37	146972	1	3-WAY UNION -Valid for USA and CDN-
38	115002	1	PIPE FROM TANK TO UNION -Valid for USA and CDN-
39	118901	1	PIPE FROM SOLENOID VALVE TO UNION -Valid for USA and CDN-
40	14304224	2	SCREW -For cars not USA and CDN valid from Ass. Nr. 44737- -For cars USA and CDN valid from Ass. Nr. 44739-
41	12601174	2	WASHER -Q.ty 4 for USA and CDN- -For cars not USA and CDN valid from Ass. Nr. 44737- -For cars USA and CDN valid from Ass. Nr. 44739-
42	15896470	2	NUT -Q.ty 4 for USA and CDN- -For cars not USA and CDN valid from Ass. Nr. 44737- -For cars USA and CDN valid from Ass. Nr. 44739-
43	14304124	2	SCREW -Valid for USA and CDN- -Valid from car Ass. Nr. 44739-
44	152913	1	RUBBER HOSE



**Soluzione superata**  
**Old solution**

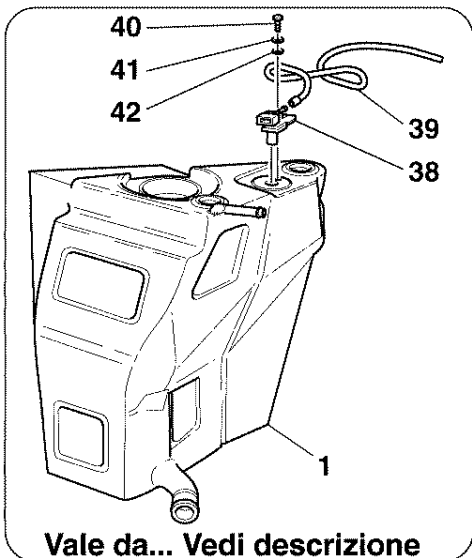
1	181197	1	SECONDARY AIR PUMP
2	182759	1	BRACKET FOR PUMP
3	181988	1	SHIELD FOR PUMP PROTECTION
4	10902224	3	SCREW
5	12601274	3	WASHER
6	15896214	3	NUT
7	12601274	3	WASHER
8	181994	1	AIR PUMP CONNECTION SLEEVE
9	178054	2	CLAMP
10	181963	1	PIPE FROM PUMP TO SLEEVE
11	155116	1	SLEEVE
12	178054	2	CLAMP
13	183326	1	AIR DELIVERY TUBE
14	10441990	2	BRACKET WITH SHEATH
15	10902224	2	SCREW
16	12620474	2	WASHER
17	175223	2	SLEEVE
18	178054	4	CLAMP
19	148205	2	RUBBER HOSE
20	171175	2	SECONDARY AIR VALVE
21	172303	2	GASKET
22	179489	2	COMPLETE BRACKET
23	10902224	4	SCREW
24	127494	2	WASHER
25	183730	2	CONNECTION PIPE
26	177576	4	CABLE GROMMET
27	149707	4	SPACER
28	10902824	4	SCREW
29	12643724	4	WASHER
30	10519224	1	WASHER
31	146972	1	3-WAY UNION
32	147127	1	RUBBER HOSE
33	147129	2	RUBBER HOSE
			-Valid till stock exhaustion-
33	193028	2	RUBBER HOSE
			-Valid after stock exhaustion of 147129-
34	62790300	1	NUT
35	156198	1	CLIP



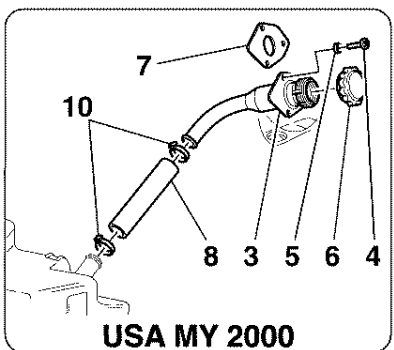
**Galleggiante cilindrico**  
**Cylindrical float**

F131\_S: 360spider - 10 - FUEL PUMPS AND PIPES

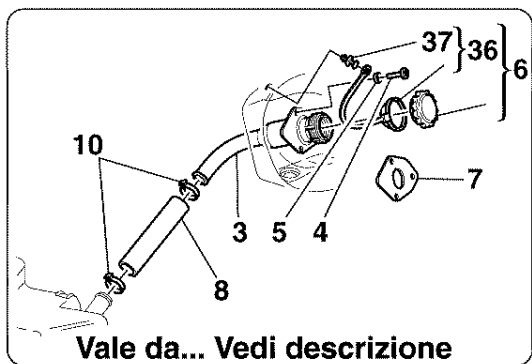
1	180477	1	R.H. COMPLETE FUEL PUMP
2	180476	1	L.H. COMPLETE FUEL PUMP AND FUEL LEVEL INDICATOR CONTROL -Not as spare part- -Replaced by 193725-
2	193725	1	L.H. COMPLETE FUEL PUMP AND FUEL LEVEL INDICATOR CONTROL -For cylindrical float- -Valid till stock exhaustion-
2	195841	1	L.H. COMPLETE FUEL PUMP AND FUEL LEVEL INDICATOR CONTROL -For oval section float-
3	181682	2	RING NUT
4	181681	2	GASKET
5	182640	1	R.H. FUEL DELIVERY TUBE
6	182641	1	L.H. FUEL DELIVERY TUBE
7	178430	4	CLIP
8	194140	1	FUEL LEVEL INDICATOR -Cylindrical float- -Valid for l.h. fuel pump 193725 ref. 2-



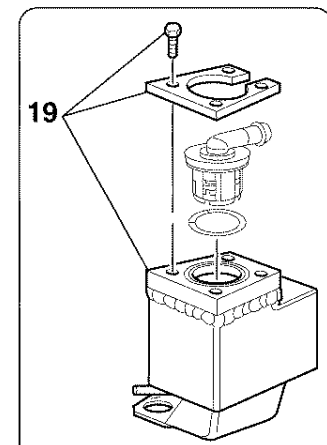
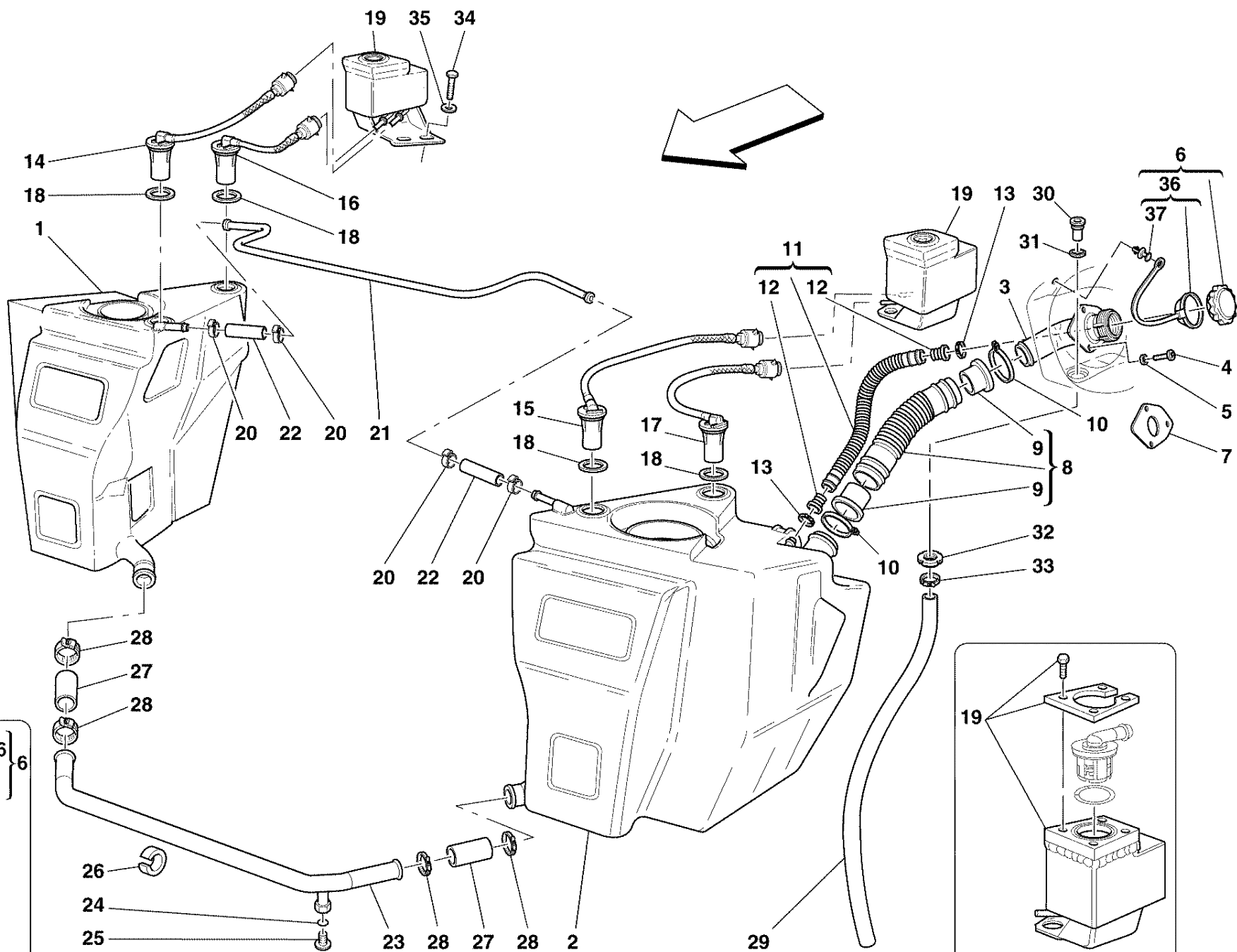
Vale da... Vedi descrizione  
Valid from... See description



USA MY 2000  
CDN MY 2000



Vale da... Vedi descrizione  
Valid from... See description



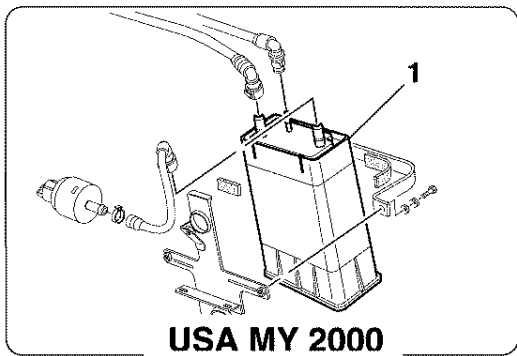
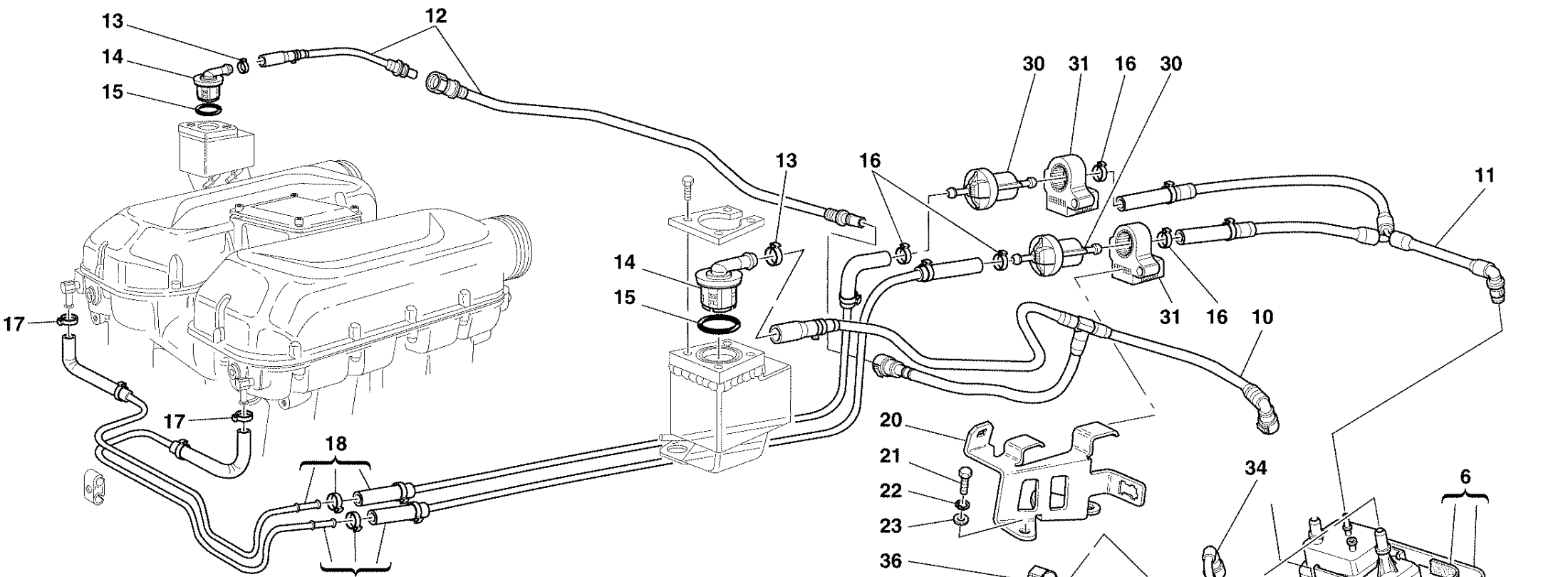
USA - CDN

1	181021	1	R.H. FUEL TANK -Valid for EU GS not F1 and J not F1 till car Ass.Nr.39139 - -Valid for GB not F1 till car Ass.Nr.39239 - -Valid for EU GS F1 and J F1 till car Ass.Nr.39346 - -Valid for GB F1 till car Ass.Nr.39121 - -Not for USA, CDN and AUS-
1	179467	1	R.H. FUEL TANK -Valid for EU GS not F1 and J not F1 from car Ass.Nr.39140 - -Valid for GB not F1 from car Ass.Nr.39240 - -Valid for EU GS F1 and J F1 from car Ass.Nr.39347 - -Valid for GB F1 from car Ass.Nr.39122 - -Valid for USA, CDN and AUS-
2	181020	1	L.H. FUEL TANK -Not for USA and CDN-
2	179468	1	L.H. FUEL TANK -Valid for USA and CDN-
3	177638	1	UNION -Valid for catalyzed cars- -Not for USA MY 2000,2001,2002,2003,2004 and CDN MY 2000,2001,2002,2003,2004-
3	180059	1	UNION -Valid for not catalyzed cars- -Not for USA, CDN and AUS-
3	185264	1	UNION -Valid for USA MY 2000 and CDN MY 2000- -Not for USA MY 2001,2002,2003,2004 and CDN MY 2001,2002,2003,2004-
3	187008	1	UNION -Valid for USA MY 2001,2002,2003,2004 and CDN MY 2001,2002,2003,2004-
4	64686900	3	SCREW
5	12601274	3	WASHER -Not as spare part- -Replaced by 10615774-
5	10615774	3	WASHER
6	180118	1	COMPLETE PLUG -Valid for EU GS not F1 and J not F1 till car Ass.Nr.39139 - -Valid for GB not F1 till car Ass.Nr.39239 - -Valid for EU GS F1 and J F1 till car Ass.Nr.39346 - -Valid for GB F1 till car Ass.Nr.39121 - -Not for USA MY 2001,2002,2003,2004 and CDN MY 2001,2002,2003,2004- -Valid for AUS till Ass. Nr. 41559-
6	185777	1	COMPLETE PLUG -Valid for EU GS not F1 and J not F1 from car Ass.Nr.39140 - -Valid for GB not F1 from car Ass.Nr.39240 - -Valid for EU GS F1 and J F1 from car Ass.Nr.39347 - -Valid for GB F1 from car Ass.Nr.39122 - -Valid for USA MY 2001,2002,2003,2004 and CDN MY 2001,2002,2003,2004- -Valid for AUS from Ass. Nr. 41560-
7	172899	1	GASKET

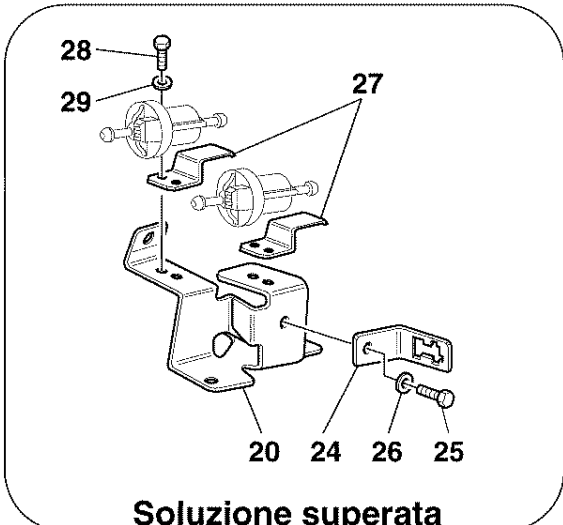
8	177640	1	UNION-TANK CONNECTING PIPE
8	178665	1	-Not for USA and CDN- UNION-TANK CONNECTING PIPE
9	141033	2	-Valid for USA and CDN - GASKET
10	165398	2	-Not for USA and CDN- SCREW COLLAR
10	180957	2	-Not for USA and CDN- SCREW COLLAR
11	174101	1	-Valid for USA and CDN- VENT PIPE FROM TANK TO UNION
12	142106	2	-Not for USA and CDN- GASKET
13	164015	2	-Not for USA and CDN- SCREW COLLAR
14	186146	1	-Not for USA and CDN- R.H. VALVE WITH PIPE
14	186142	1	-Not for USA and CDN- R.H. VALVE WITH PIPE -Valid for USA and CDN- -Valid till stock exhaustion-
14	196484	1	R.H. VALVE WITH PIPE -Valid for USA and CDN-
15	186148	1	L.H. VALVE WITH PIPE -Not for USA and CDN-
15	186144	1	L.H. VALVE WITH PIPE -Valid for USA and CDN- -Valid till stock exhaustion-
15	196486	1	L.H. VALVE WITH PIPE -Valid for USA and CDN-
16	186145	1	R.H. VALVE WITH PIPE -Not for USA and CDN-
16	186141	1	R.H. VALVE WITH PIPE -Valid for USA and CDN- -Valid till stock exhaustion-
16	196485	1	R.H. VALVE WITH PIPE -Valid for USA and CDN-
17	186147	1	L.H. VALVE WITH PIPE -Not for USA and CDN-
17	186143	1	L.H. VALVE WITH PIPE -Valid for USA and CDN- -Valid till stock exhaustion-
17	196487	1	L.H. VALVE WITH PIPE -Valid for USA and CDN-
18	169938	4	GASKET -Valid till stock exhaustion-
18	195049	4	GASKET
19	186417	2	R.H. DISAREATOR -Not for USA and CDN-
19	186425	2	R.H. DISAREATOR -Valid for USA and CDN-

19	186420	2	L.H. DISAREATOR -Not for USA and CDN-
19	186423	2	L.H. DISAREATOR -Valid for USA and CDN-
20	13433570	4	COLLAR FOR SLEEVE
21	179474	1	PRESSURE COMPENSATION PIPE
22	181024	2	SLEEVE
23	181695	1	TANKS CONNECTION PIPE
24	123622	1	GASKET
25	148045	1	THREADED PLUG
26	177437	6	RUBBER THICKNESS
27	114277	2	RUBBER HOSE
28	168220	4	SCREW COLLAR
29	180067	1	WATER EXHAUST TUBE -Valid till stock exhaustion-
29	193286	1	WATER EXHAUST TUBE -Valid after stock exhaustion of 180067-
30	64872000	1	SLEEVE
31	65064500	1	GASKET
32	104919	1	RING NUT
33	177553	1	CLAMP
34	10902411	4	SCREW
35	11195579	4	WASHER
36	186866	1	RING COMPLETE FOR PLUG -Valid for EU GS not F1 and J not F1 from car Ass.Nr.39140 - -Valid for GB not F1 from car Ass.Nr.39240 - -Valid for EU GS F1 and J F1 from car Ass.Nr.39347 - -Valid for GB F1 from car Ass.Nr.39122 - -Valid for USA MY 2001,2002,2003,2004 and CDN MY 2001,2002,2003,2004- -Valid for AUS from Ass. Nr. 41560-
37	186172	1	RETAINER FOR STRING -Valid for EU GS not F1 and J not F1 from car Ass.Nr.39140 - -Valid for GB not F1 from car Ass.Nr.39240 - -Valid for EU GS F1 and J F1 from car Ass.Nr.39347 - -Valid for GB F1 from car Ass.Nr.39122 --Valid for USA MY 2001,2000,2003 and CDN MY 2001,2002,2003,2004- -Valid for AUS from Ass. Nr. 41560-
38	179137	1	FUEL PRESSURE SENSOR -Valid for EU GS not F1 and J not F1 from car Ass.Nr.39140 - -Valid for GB not F1 from car Ass.Nr.39240 - -Valid for EU GS F1 and J F1 from car Ass.Nr.39347 - -Valid for GB F1 from car Ass.Nr.39122 - -Valid for USA, CDN and AUS-
39	115148	1	RUBBER HOSE -Valid for EU GS not F1 and J not F1 from car Ass.Nr.39140 - -Valid for GB not F1 from car Ass.Nr.39240 - -Valid for EU GS F1 and J F1 from car Ass.Nr.39347 - -Valid for GB F1 from car Ass.Nr.39122 - -Valid for USA, CDN and AUS-
40	10977714	1	SCREW -Valid for EU GS not F1 and J not F1 from car Ass.Nr.39140 - -Valid for GB not F1 from car Ass.Nr.39240 - -Valid for EU GS F1 and J F1 from car Ass.Nr.39347 -

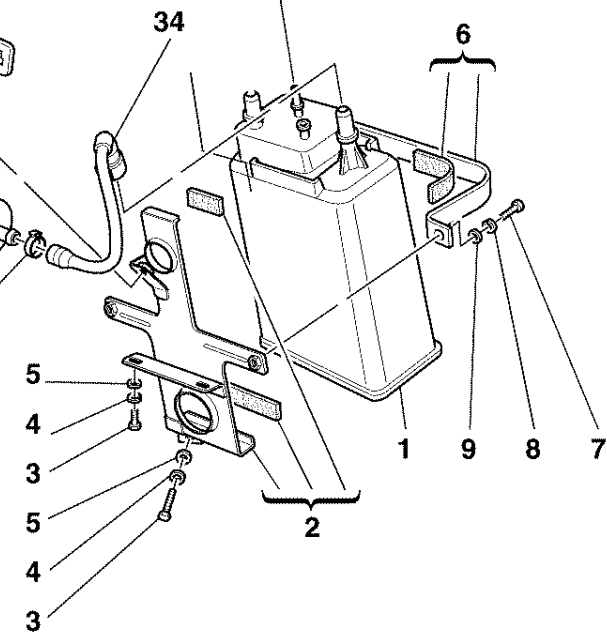
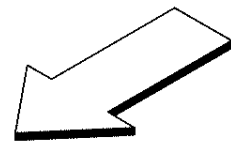
41	12601174	1	-Valid for GB F1 from car Ass.Nr.39122 - -Valid for USA, CDN and AUS- WASHER -Valid for EU GS not F1 and J not F1 from car Ass.Nr.39140 - -Valid for GB not F1 from car Ass.Nr.39240 - -Valid for EU GS F1 and J F1 from car Ass.Nr.39347 - -Valid for GB F1 from car Ass.Nr.39122 -
42	12637824	1	-Valid for USA, CDN and AUS- WASHER -Valid for EU GS not F1 and J not F1 from car Ass.Nr.39140 - -Valid for GB not F1 from car Ass.Nr.39240 - -Valid for EU GS F1 and J F1 from car Ass.Nr.39347 - -Valid for GB F1 from car Ass.Nr.39122 - -Valid for USA, CDN and AUS-



**USA MY 2000  
CDN MY 2000**



**Soluzione superata  
Old solution**



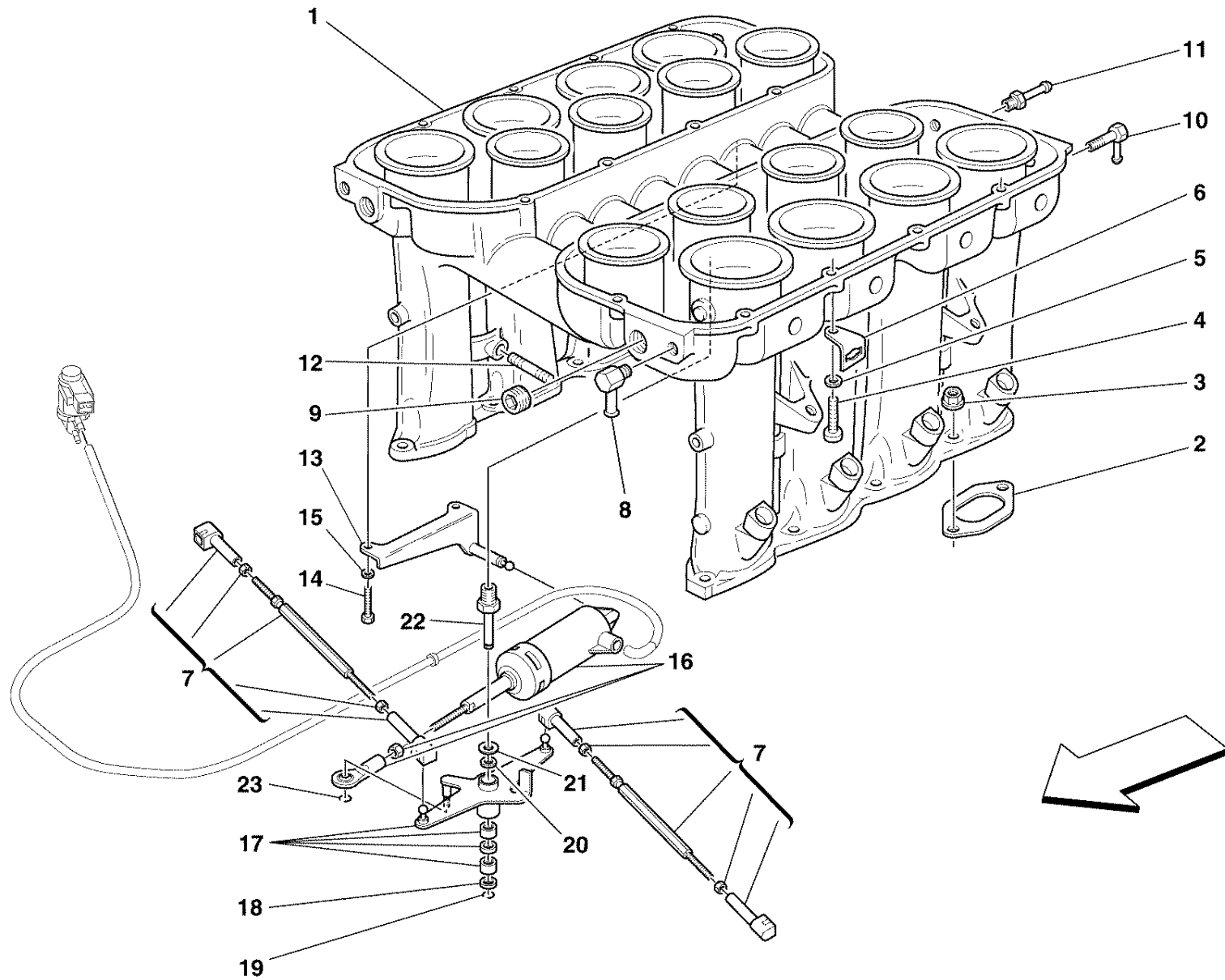
1	178536	1	FUEL VAPOR FILTER -Not for USA MY 2001,2002,2003,2004 and CDN MY 2001,2002,2003,2004-
1	186316	1	FUEL VAPOR FILTER -Valid for USA MY 2001, 2002,2003,2004 and CDN MY 2001,2002,2003,2004-
2	180615	1	FRAME FASTENING FILTER BRACKET
3	10902224	3	SCREW
4	127494	3	WASHER
5	12644424	3	WASHER
6	180636	1	VAPOR FILTER FIXING CLAMP
7	10902124	2	SCREW
8	127494	2	WASHER
9	12639724	2	WASHER
10	179475	1	PIPE FROM VALVE TO DISAREATOR
11	179476	1	PIPE FROM ANTIEVAPORATION VALVES TO DISAREATOR
12	181018	1	R.H. ROLL-OVER PIPE
13	13432070	2	COLLAR FOR SLEEVE
14	178533	2	ANTI FLOWING BACK VALVE
15	180934	2	GASKET
16	13432070	4	COLLAR FOR SLEEVE
17	13432070	2	COLLAR FOR SLEEVE
18	179477	1	PIPE FROM R.H. ANTIEVAPORATION VALVE TO ENGINE
19	179478	1	PIPE FROM L.H. ANTIEVAPORATION VALVE TO ENGINE
20	186271	1	VALVE SUPPORTING BRACKET -Valid till stock exhaustion-
20	194348	1	VALVE AND CONNECTORS SUPPORTING BRACKET -Valid after stock exhaustion of 186271- -Replace also particulars ref. 24,25,26,27,28,29-
21	10979434	2	SCREW
22	127494	2	WASHER
23	12644424	2	WASHER
24	178366	1	CONNECTOR FIXING BRACKET
25	10902224	1	SCREW
26	12644424	1	WASHER
27	174708	2	BRACKET
28	10902224	4	SCREW
29	12644424	4	WASHER
30	162412	2	WASHING VALVE
31	174623	2	BUFFER FOR SUPPORT
32	10979414	1	SCREW
33	179138	1	ON-OFF VALVE
34	178540	1	COMPLETE TUBE
35	13430770	1	COLLAR FOR SLEEVE
36	181607	1	BRACKET WITH SHEATH
37	12644424	1	WASHER

38

127494

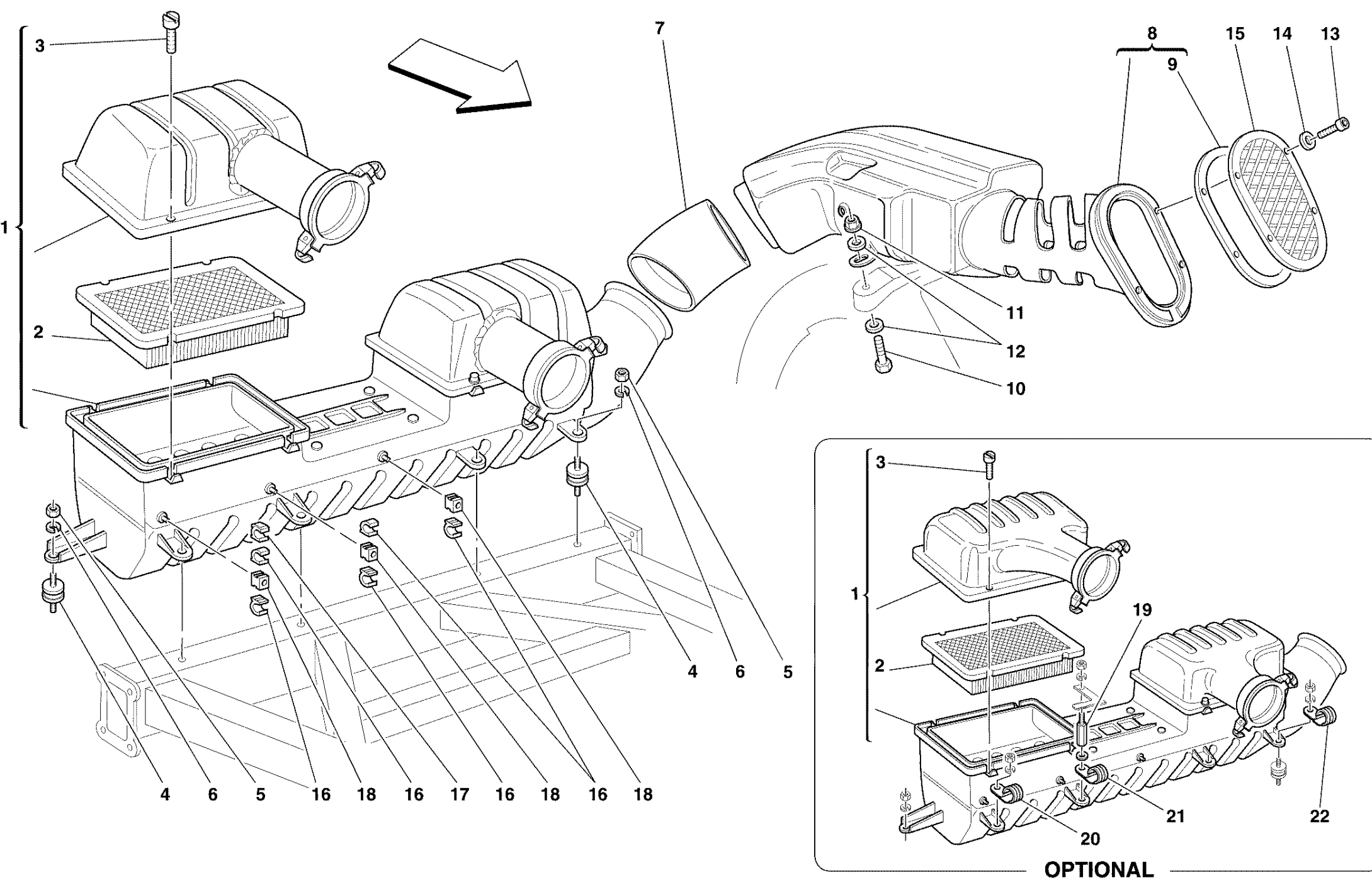
1

WASHER



F131\_S: 360spider - 15 - AIR INTAKE MANIFOLD

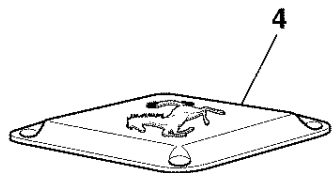
1	171244	1	SUCTION MANIFOLD -Valid till stock exhaustion-
1	182315	1	SUCTION MANIFOLD -Valid after stock exhaustion of 171244-
1	198918	1	SUCTION MANIFOLD -Valid for carbon version- -Optional-
2	172544	8	GASKET
3	159601	16	NUT
4	14305424	16	SCREW
5	11197774	16	WASHER
6	178844	4	PIPES FIXING BRACKET
7	177554	2	COMPLETE TIE ROD
8	174818	2	UNION
9	182095	2	THREADED PLUG -Q.ty 3 from Ass. Nr. 49528-
10	179051	2	UNION
11	182094	2	UNION
12	182696	4	STUD
13	168253	1	BRACKET FOR ACTUATOR
14	182097	2	SCREW
15	177647	2	WASHER
16	168275	1	PNEUMATIC ACTUATOR
17	182099	1	COMPLETE LEVER
18	177633	1	WASHER
19	177669	1	SEEGER RING
20	177618	4	WASHER
21	182098	1	WASHER
22	177602	1	PIN
23	177624	1	SEEGER RING



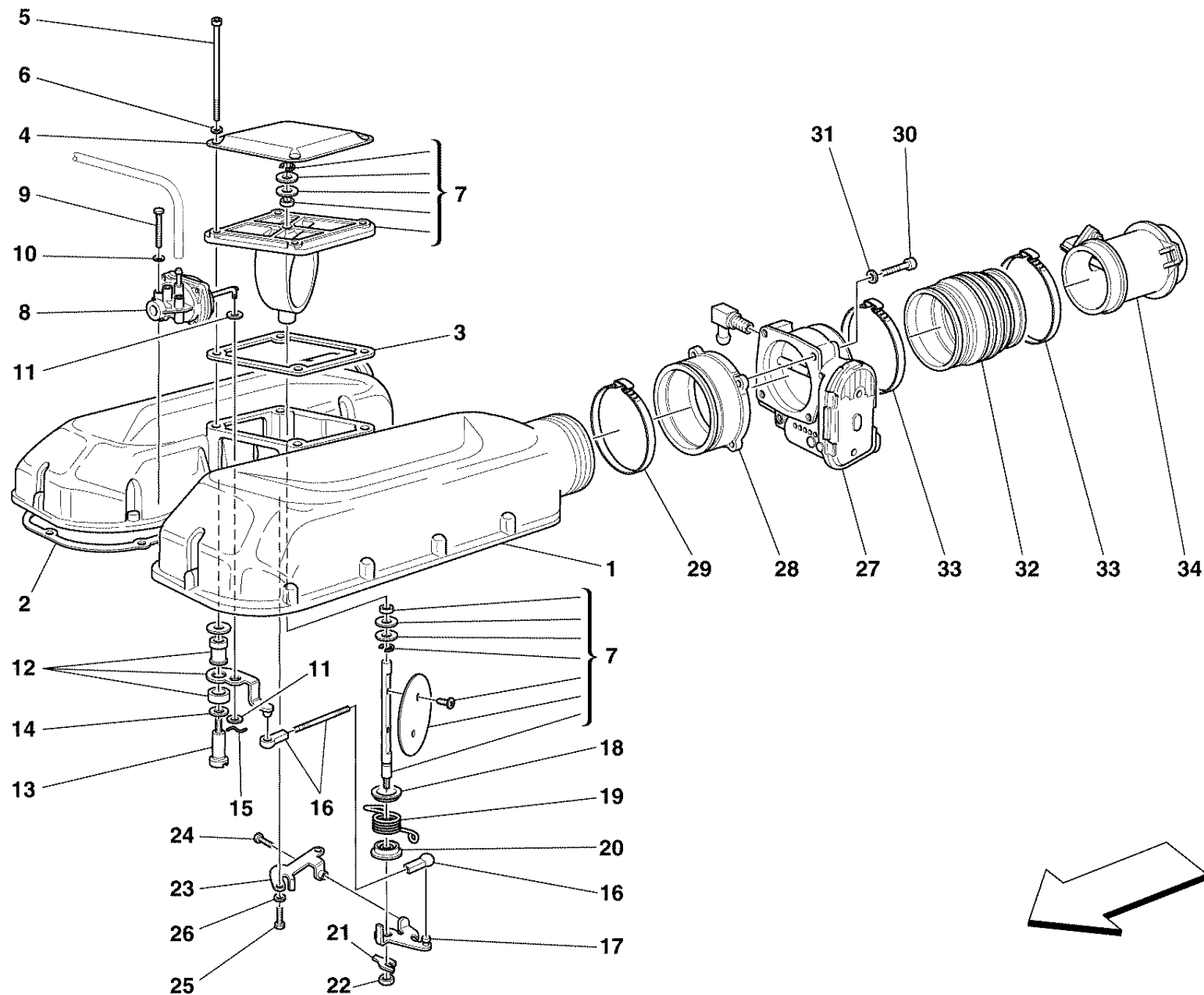
**OPTIONAL**

F131\_S: 360spider - 16 - AIR INTAKE

1	184877	1	COMPLETE FILTER BOX
1	209636	1	COMPLETE FILTER BOX -Valid for carbon version- -Optional
2	170689	2	AIR FILTER -Not as spare part- -Replaced by 190880-
2	190880	2	AIR FILTER
3	157757	8	SCREW -Not as spare part- -Replaced by 193276-
3	193276	8	SCREW
4	142202	6	PAD
5	15896214	6	NUT
6	12643724	6	WASHER
7	176924	1	SLEEVE
8	182470	1	AIR CONVEYOR
9	178293	1	RUBBER THICKNESS
10	10902424	1	SCREW
11	102741	1	NUT
12	12643724	2	WASHER
13	13274211	4	SCREW
14	12638124	4	WASHER
15	63580500	2	COMPLETE GRILL
16	140130	5	CLIP
17	157709	4	CLIP
18	155781	3	ANCHORAGE
19	200813	1	STUD -Valid for racing exhaust version- -Optional-
20	10441790	1	BRACKET WITH SHEATH -Valid for racing exhaust version- -Optional-
21	10441590	1	BRACKET WITH SHEATH -Valid for racing exhaust version- -Optional-
22	10441490	1	BRACKET WITH SHEATH -Valid for racing exhaust version- -Optional-



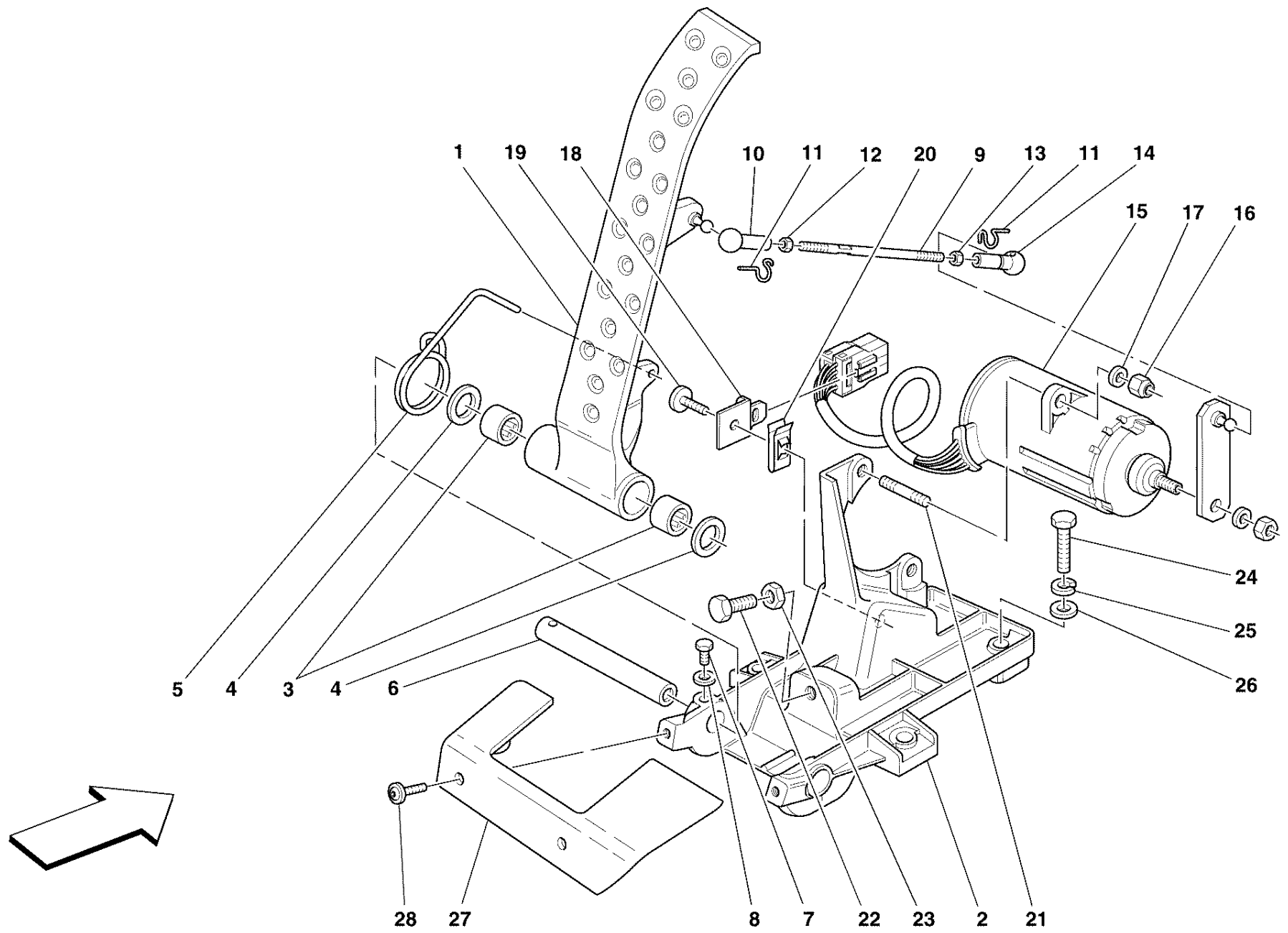
Vale per versione carbonio - optional  
Valid for carbon version - optional



F131\_S: 360spider - 17 - AIR INTAKE MANIFOLD COVER

1	188315	1	SUCTION MANIFOLD COVER -Not as spare part- -Replaced by 191873-
1	182461	1	SUCTION MANIFOLD COVER -Not as spare part- -With complete suction manifold cover 188315-
1	191873	1	SUCTION MANIFOLD COVER
1	186284	1	SUCTION MANIFOLD COVER -Not as spare part- -With complete suction manifold cover 191873-
2	174192	1	R.H. GASKET
2	168145	1	L.H. GASKET
3	168205	1	COMPENSATION DUCTING GASKET
4	176106	1	COMPENSATION DUCTING COVER
4	198215	1	COMPENSATION DUCTING COVER -Valid for carbon version- -Optional-
5	176154	4	SCREW
6	182086	4	WASHER
7	182092	1	COMPLETE COMPENSATION DUCTING
8	136815	1	PNEUMATIC CAPSULE
9	177644	2	SCREW
10	177646	2	WASHER
11	182087	2	WASHER
12	182089	1	LEVER SET
13	177600	1	PIN
14	182093	1	WASHER
15	182088	1	PIN
16	177565	1	COMPLETE TIE ROD
17	177560	1	COMPLETE IDLING LEVER
18	177626	1	BUSH FOR SPRING
19	177578	1	SPRING
20	177586	1	BUSHING
21	177639	1	SAFETY SMALL PLATE
22	182091	1	NUT
23	177564	1	SUPPORT
24	182090	1	SCREW
25	177652	2	SCREW
26	177651	2	WASHER
27	171716	2	THROTTLE HOLDER
28	177132	2	SPACER FOR THROTTLE HOLDER
29	177981	2	SPECIAL CLAMP
30	14305824	8	SCREW

31	12581474	8	WASHER
32	160701	2	SLEEVE
33	177982	4	SPECIAL CLAMP
34	171707	2	AIR FLOW METER



F131\_S: 360spider - 18 - ELECTRONIC ACCELERATOR PEDAL

1	180220	1	ACCELERATOR PEDAL -Valid till stock exhaustion-
1	196180	1	ACCELERATOR PEDAL
2	171464	1	ACCELERATOR PEDAL SUPPORT -Not as spare part- -Replaced by 185452-
2	185452	1	ACCELERATOR PEDAL SUPPORT
3	101677	2	ROLLER BEARING
4	157115	2	WASHER
5	175351	1	RETUTN SPRING FOR PEDAL
6	171468	1	ROLLER CAGE RACE
7	10977524	1	SCREW
8	12601174	1	WASHER
9	171466	1	PUSH ROD -Not for GD-
9	181258	1	PUSH ROD -Valid for GD-
10	173999	1	BALL JOINT HEAD
11	174001	2	CLIP
12	15896470	1	NUT
13	105586	1	L.H. THREADED NUT
14	174000	1	BALL JOINT HEAD
15	170038	1	ACCELERATOR PEDAL POTENTIOMETER
16	102948	2	NUT
17	10519424	2	WASHER
18	170925	1	BRACKET FOR CONNECTOR FIXING
19	14071911	1	SCREW
20	14371274	1	BRACKET
21	11500324	2	STUD
22	16043621	1	SCREW
23	16102314	1	NUT
24	10902624	3	SCREW
25	127494	3	WASHER
26	14496424	3	WASHER
27	65709100	1	ACCELERATOR PEDAL COVER -Not for GD-
27	65711900	1	ACCELERATOR PEDAL COVER -Valid for GD-
28	65752800	2	SCREW